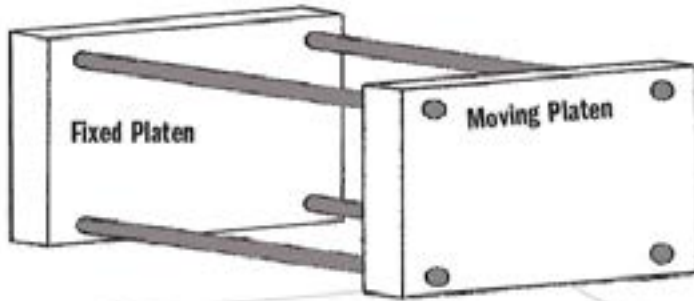


# Custom InLine Mold Chute (IMC) Chute Request Form

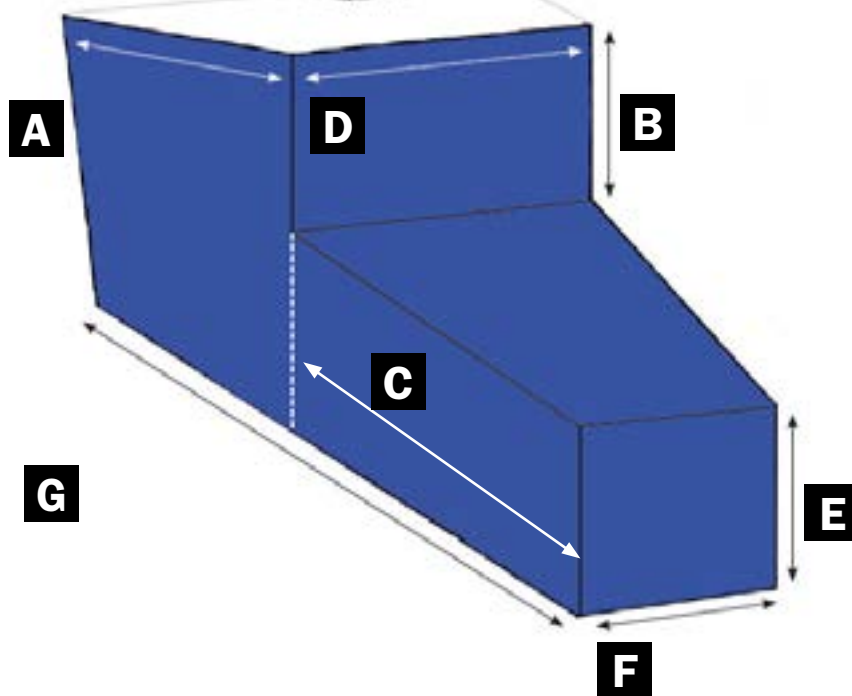


✓ Check One:

**Inches**

**CM**

**MM**



**PLEASE FILL IN A, B, C, D, E, F & G:**

A = Widest point of "Tool Open"

B = Drop to clear obstructions and chassis to exit point of chute

C = Exit chute chassis bed width

D = Distance across machine chassis (or your own fixing point)

E = Height of chute exit

F = Width of chute exit

G = Length of exit chute (including chassis bed width)

## Contact Information

Company Name:

Contact Name:

Email:

Phone:

### Installation Notes:

- 1.) Chute **CANNOT MOVE** with the mold
- 2.) Chute is mounted with supplied magnets and Velcro
- 3.) Chute can be hung from machine chassis (or your own fixing point)

**Distributed By:**