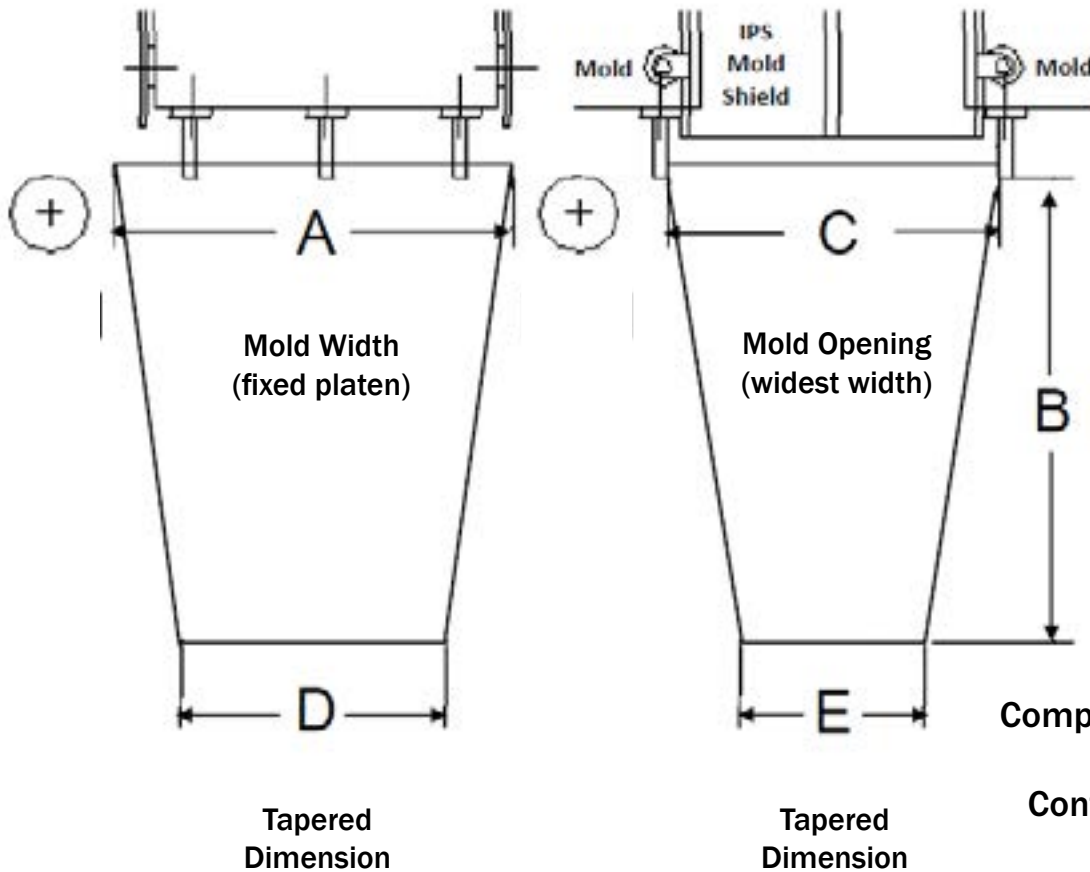


# Custom Tapered Mold Skirt (TMS) Quote Request Form



✓ **Check One:**  
**Inches**  
**CM**  
**MM**



## Contact Information

Company Name:

Contact Name:

Email:

Phone:

### Installation Notes:

- 1.) Skirt moves with the mold
- 2.) Skirt is mounted with supplied magnets and Velcro
- 3.) Skirt can be hung from platens or from machine chassis

**Distributed By:**